



PS-2400 Series

24 & 28V AC Dual Voltage Camera Power

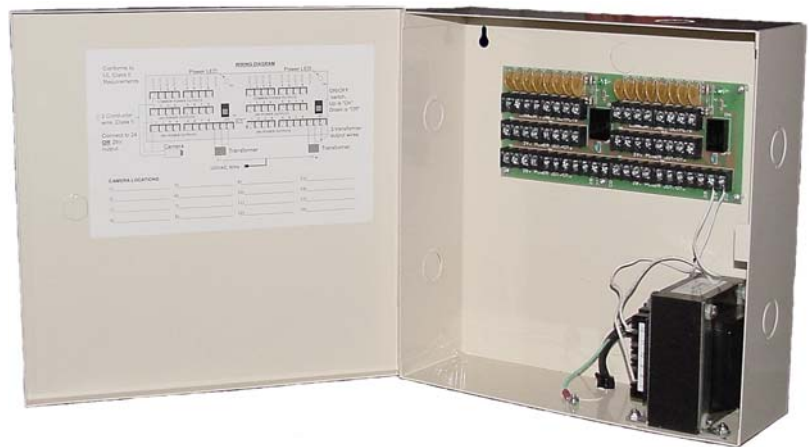
4, 8 OR 16 CAMERA OUTPUTS

SELF-RESETTING
SMARTFUSES

120V AC INPUT

EACH OUTPUT SELECTABLE
24 OR 28 VOLTS AC

SURGE SUPPRESSION



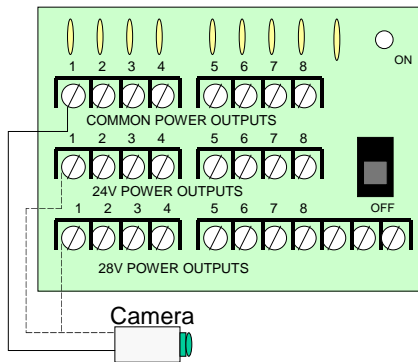
The PS-2400 series of camera power supplies provides several unique features for easier installation, greater reliability and unequalled flexibility. They are ideal in any multi-camera installation, avoiding the need to tie up one electrical outlet per camera, and provide significant advantages over multiple plug-in transformers in safety, convenience, neatness and cost.

Each output can be selected as 24 or 28V AC. The 28V AC option is ideal for applications with cameras at the end of long cable runs where significant voltage drops can occur. The ability to select the voltage of each output individually provides a greatly enhanced flexibility to meet the requirements of any installation.

All models provide multiple outputs, protected by Stealth's self-restoring *SmartFuses*. These react like a glass fuse but reset themselves when the surge has passed or the fault is removed, eliminating costly service calls to replace blown fuses. Built-in surge suppression protects your cameras from transients. A roomy metal can allows plenty of space for wiring and multiple knockouts are provided for easy installation.

Each camera is connected to a common terminal and either a 24V or a 28V terminal.

The board shown is the PS-2480, which provides 8 outputs, each protected by a self-resetting



SPECIFICATIONS

ALL MODELS

Input Voltage: 120V AC (220V models available: add X to model number, e.g. PS-2480X)

Output Voltage: 24 or 28V AC, selectable per output.

Wiring conforms to UL Class II requirements according to UL2044

| MODEL | OUTPUTS | OUTPUTS RATED AT | TOTAL AMPS | CAN SIZE (INCHES) | UL LISTED |
|--------------|---------|------------------|------------|---------------------|-----------|
| PS-2440 | 4 | 1.85A | 4 | 9 x 8 x 3.5 | NO |
| PS-2440UL | 4 | 1.85A | 3.5 | 9 x 8 x 3.5 | YES |
| PS-2440S-8 | 4 | 3A | 8 | 11.25 x 11.25 x 3.5 | NO |
| PS-2440S-8UL | 4 | 3A | 6.5 | 11.25 x 11.25 x 3.5 | YES |
| PS-2480 | 8 | 1.85A | 4 | 9 x 8 x 3.5 | NO |
| PS-2480UL | 8 | 1.85A | 3.5 | 9 x 8 x 3.5 | YES |
| PS-2480S-8 | 8 | 3A | 8 | 11.25 x 11.25 x 3.5 | NO |
| PS-2480S-8UL | 8 | 3A | 6.5 | 11.25 x 11.25 x 3.5 | YES |
| PS-2416 | 16 | 1.85A | 8 | 11.25 x 11.25 x 3.5 | NO |
| PS-2416UL | 16 | 1.85A | 6.5 | 11.25 x 11.25 x 3.5 | YES |
| PS-2416S-16 | 16 | 3A | 16 | 11.25 x 11.25 x 3.5 | YES |

